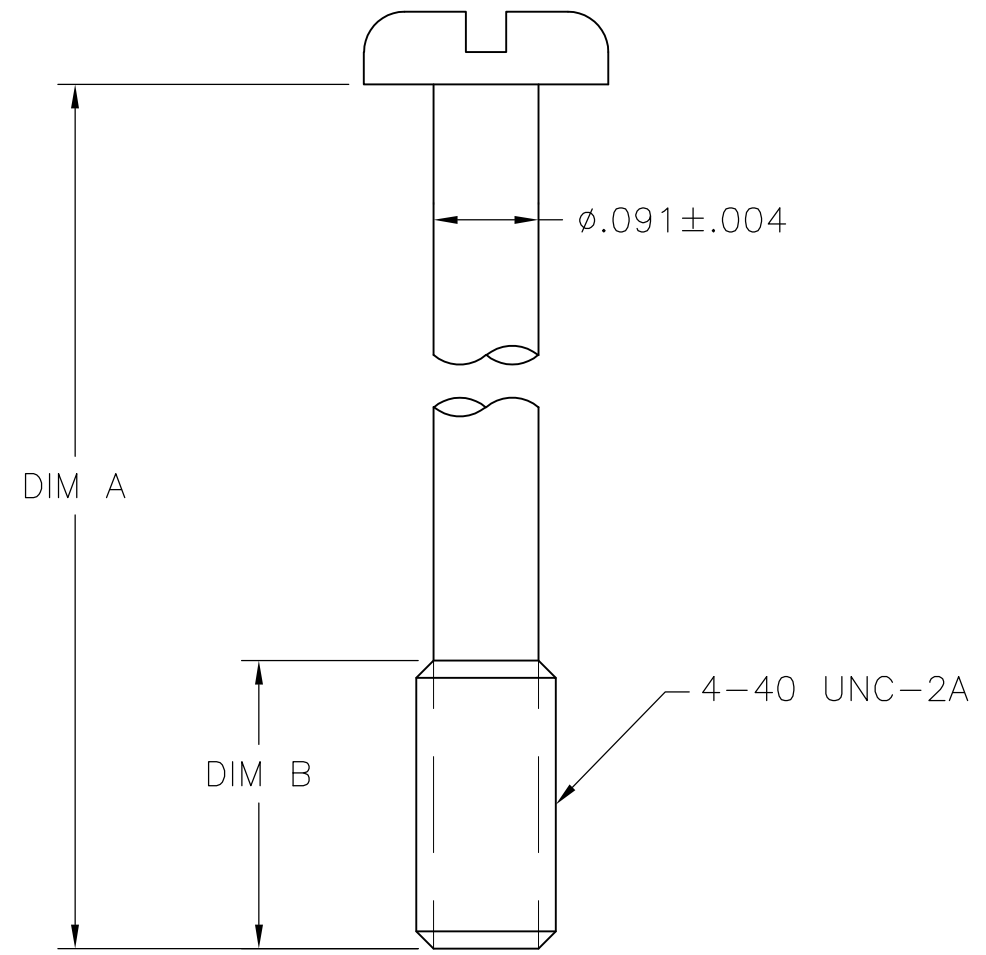



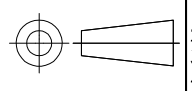
THIS DRAWING IS UNPUBLISHED.      RELEASED FOR PUBLICATION  
 © COPYRIGHT - By -      ALL RIGHTS RESERVED.

LOC	DIST	REVISIONS					
GP	00	P	LTR	DESCRIPTION	DATE	DWN	APVD
		P		REVISED PER ECO-11-005033	23MAR11	RK	HMR

△ 1 MATERIAL:  
ZINC PLATED STEEL.



.20	1.00	5229911-4
.13	1.75	5229911-3
.25	.62	5229911-2
.25	.75	5229911-1
DIM B	DIM A	PART NO

THIS DRAWING IS A CONTROLLED DOCUMENT.		DWN B. MCMASTER 27JULY05	 TE Connectivity		
DIMENSIONS: INCHES 		CHK W. MILLHIMES 27JULY05			
TOLERANCES UNLESS OTHERWISE SPECIFIED: 0 PLC ± - 1 PLC ± - 2 PLC ± .02 3 PLC ± - 4 PLC ± - ANGLES ± -		APVD M. WALMSLEY 27JULY05	SCREW, PAN HD, CAPTIVE		
MATERIAL		PRODUCT SPEC	RESTRICTED TO		
△ 1		FINISH	△ 1		
		APPLICATION SPEC	SIZE	CAGE CODE	DRAWING NO
		WEIGHT	A3	00779	C-5229911
		CUSTOMER DRAWING	SCALE	SHEET	REV
			6:1	1 OF 1	P